

## How to Build a Hexagonal Insect Hotel

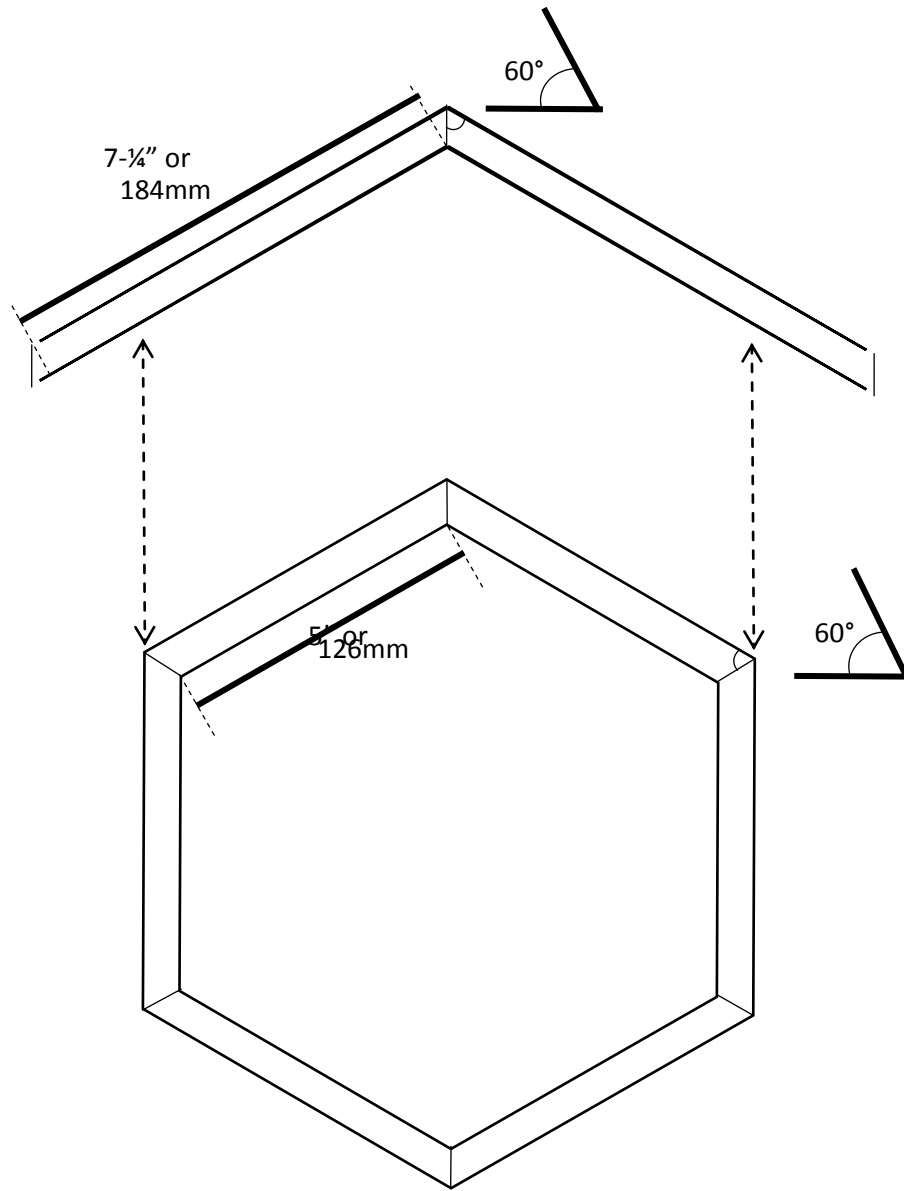


### You will need:

- 1 in. x 6 in. x 6 ft. board (x1)
- 1 in. x 8 in. x 6 ft. board (x1)
- 4 in. x 4 in. x 4 ft. post (only if placing in a garden)
- ¾ in. piece of plywood
- Galvanized 1-¼" deck screws
- Screw driver or drill
- Ruler, protractor, and pencil
- Filler material cut to 5-¾ in. lengths (bamboo, sawn logs, sticks, etc.)
- Drill bits (for drilling holes in wood blocks or logs) – 3/32", 3/8", 5/16"
- Wood glue (recommended)
- Insect friendly paint/stain (optional)

# How to Build a Hexagonal Insect Hotel

## Diagram



## Instructions

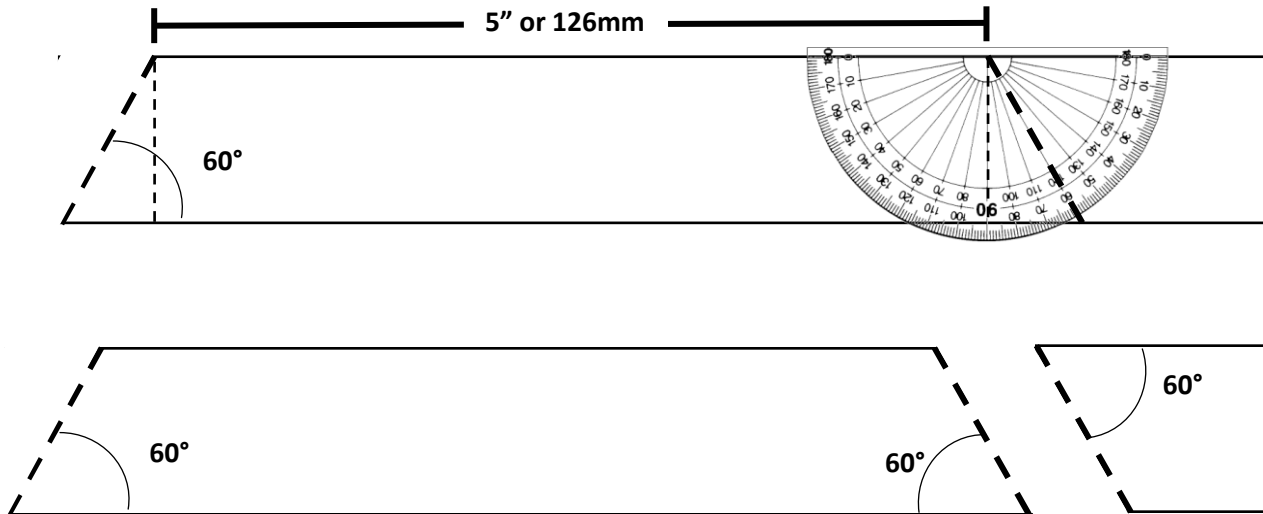
### Frame:

**Step 1.** Cut a 60° angle on the 1 in. x 6 in. x 6 ft. board.



## How to Build a Hexagonal Insect Hotel

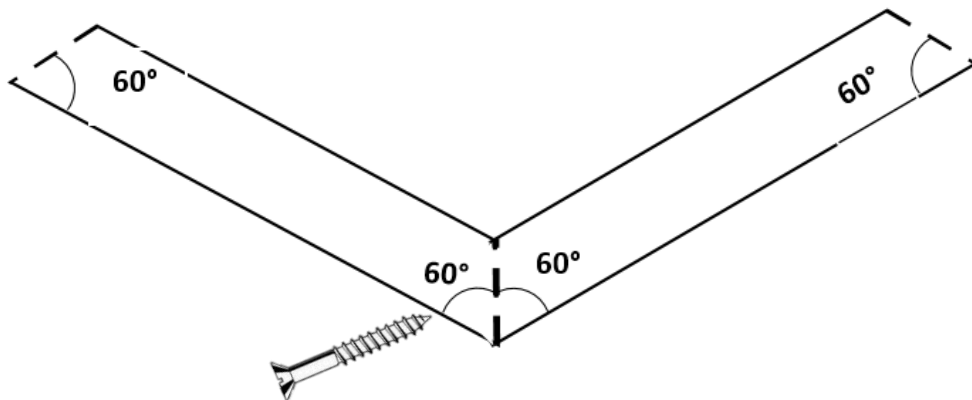
**Step 2.** Measure and mark 5" (126mm) from the top of the angle (the shorter side). Cut another 60° angle. **This should be opposite of the first.**



**Step 3.** Repeat steps 1 and 2 until you have a total of 6 pieces. Assemble pieces as shown in diagram on page 2.

**Step 4.** It is recommended to use a thin line of wood glue to add security to the pieces before screwing them together. Make sure the edges are flush with one another (this might require a second pair of hands) and secure the edges together, drilling at an angle to ensure the screws go into *both* pieces of wood.

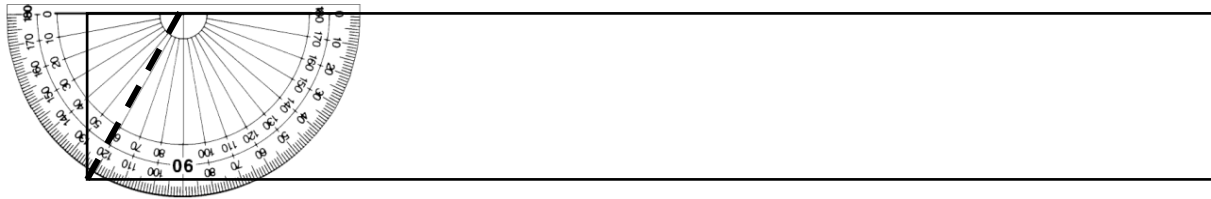
**Tip:** Keep the screws away from the edges and as centered as possible. This reduces the chance of the wood splitting.



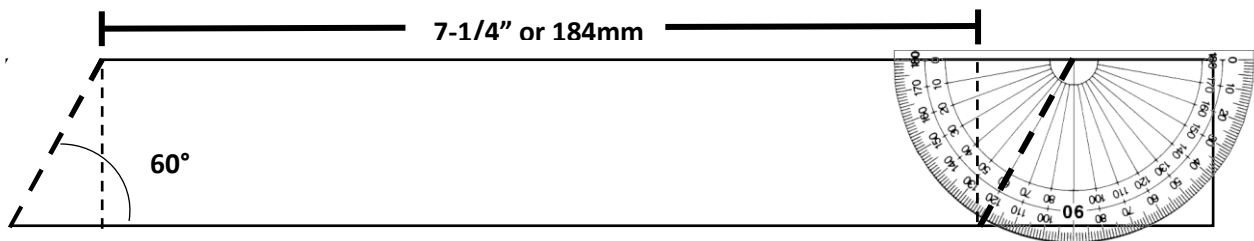
# How to Build a Hexagonal Insect Hotel

## Roof:

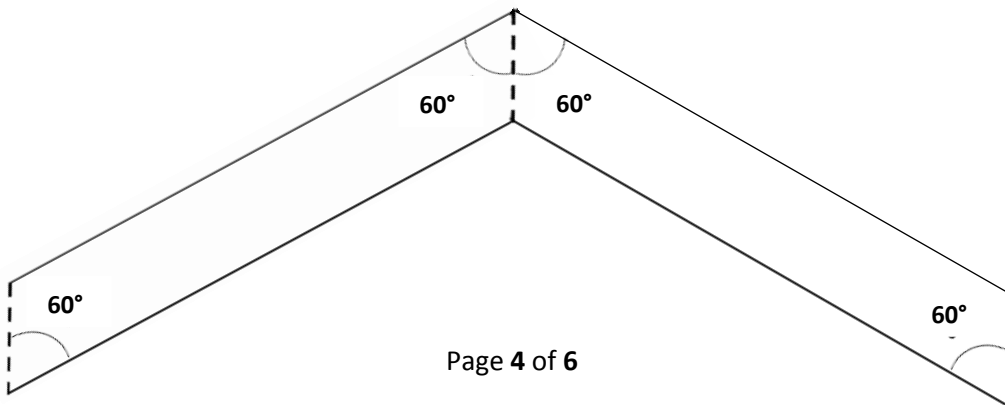
**Step 1.** Mark a 60° angle on the 1 in. x 8 in. x 6 ft. board. Use table saw or manually cut the board along this angle.



**Step 2.** Measure and mark 7-1/4" (184mm) from the top of the angle (the shorter side). Mark another 60° angle. **This angle should be parallel to the first.** Repeat to make two of these pieces.



**Step 4.** It is recommended to use a thin line of wood glue to add security to the pieces before screwing/nailing them together. Make sure the edges are flush with one another and secure together, drilling at an angle to ensure the screws go into *both* pieces of wood.



## How to Build a Hexagonal Insect Hotel

---

### *Assembly:*

**Step 1.** Following the diagram on page 2, place roof on top of hexagonal frame. Make sure roof edge (width-wise) is flush with the hexagon frame.

**Step 2.** Use wood glue to fasten roof to frame (optional). Secure roof to wooden frame.

---

### *Plywood Backing:*

**Step 1.** Place the assembled insect hotel onto the plywood board and trace its outline (follow image for guidance). Cut out the outline.

**Step 2.** We recommend using wood glue to add stability before nailing/screwing on the plywood cutout to the back of the insect hotel.

---

### *Placement:*

We recommend mounting to the side of a shed or garage or atop a post near a garden. If mounting on a post, use a 4 in. x 4 in. x 4ft. post. Nail or screw a 10-½” plank (you can use the leftover wood from earlier) on to the top and attach the insect hotel to this post. **It is best to place the insect hotel before filling it with nesting material.**



# How to Build a Hexagonal Insect Hotel

## *Filler Material:*

Different types of material will attract different species. Some examples are given in the table below. If drilling into wood, place the holes about 1 in. apart from one another and approximately 6 in. deep.

<b>Building Item</b>	<b>Possible visitor(s)</b>
sawn logs or wooden blocks with pre-drilled holes	solitary bees, such as mason bees and leaf-cutter bees
bamboo or reed stems	solitary bees, such as mason bees and leaf-cutter bees; wasps, such as thread-waist wasps
dry leaves	centipedes, beetles, harvestmen
sticks	ladybird beetles
strips of bark	beetles, woodlice, centipedes, millipedes, spiders

