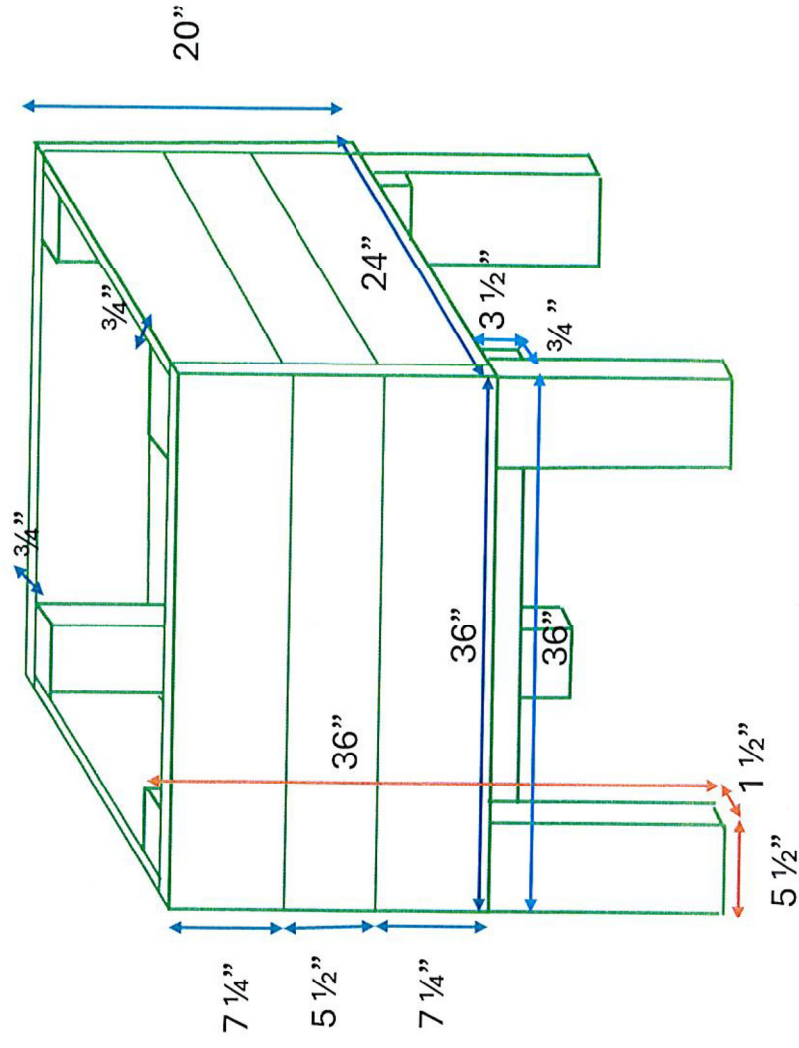


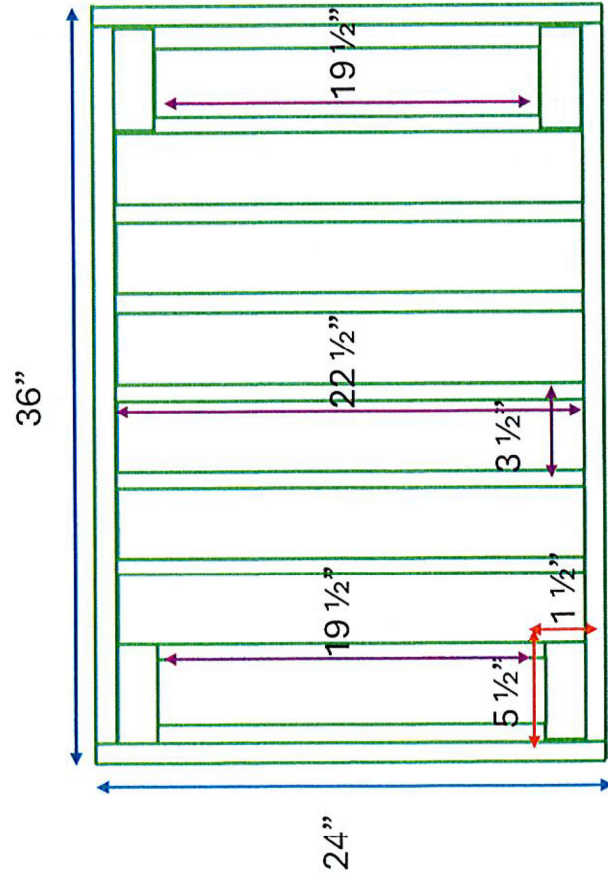
Materials:

- 2 10ft 1"x8" red cedar boards
- 1 10ft 1"x6" red cedar board
- 2 10ft 2"x6" red cedar boards
- 4 6ft 1"x4" red cedar boards
- Square
- Miter Saw
- Tape measure
- Milwaukee Drill with 1/8" drill bit
- Milwaukee Impact Driver
- Grip Fast Gold Triple Coated 2" deck screws
- 80, 120, 150 grit sandpaper for orbital sander
- 3'x2' chicken wire
- 3'x2' weed barrier
- Staple gun with staples

Front View



Top View



Bottom View

